

Service Manual

A-384

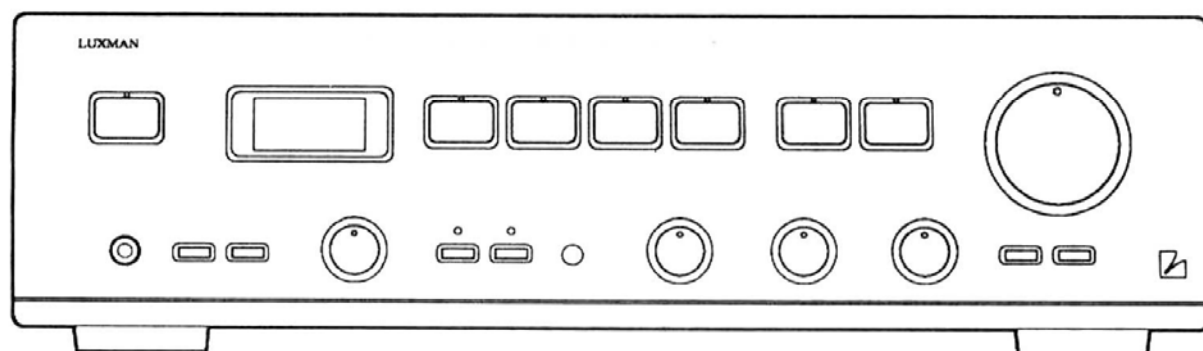
LUXMAN

LUX CORPORATION, JAPAN

Service Manual

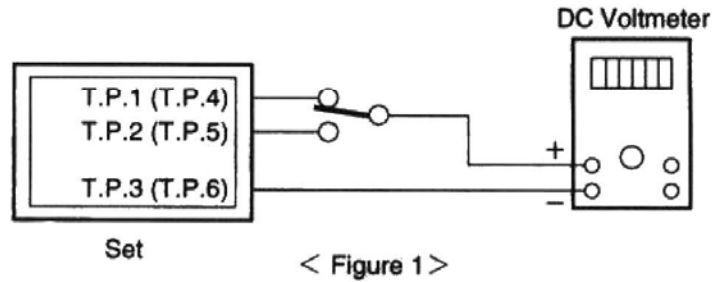
A-384

HI-BRID INTEGRATED AMPLIFIER



Adjustment Procedures

1. Connection



2. Control Setting

Power Switch ON
Others OFF

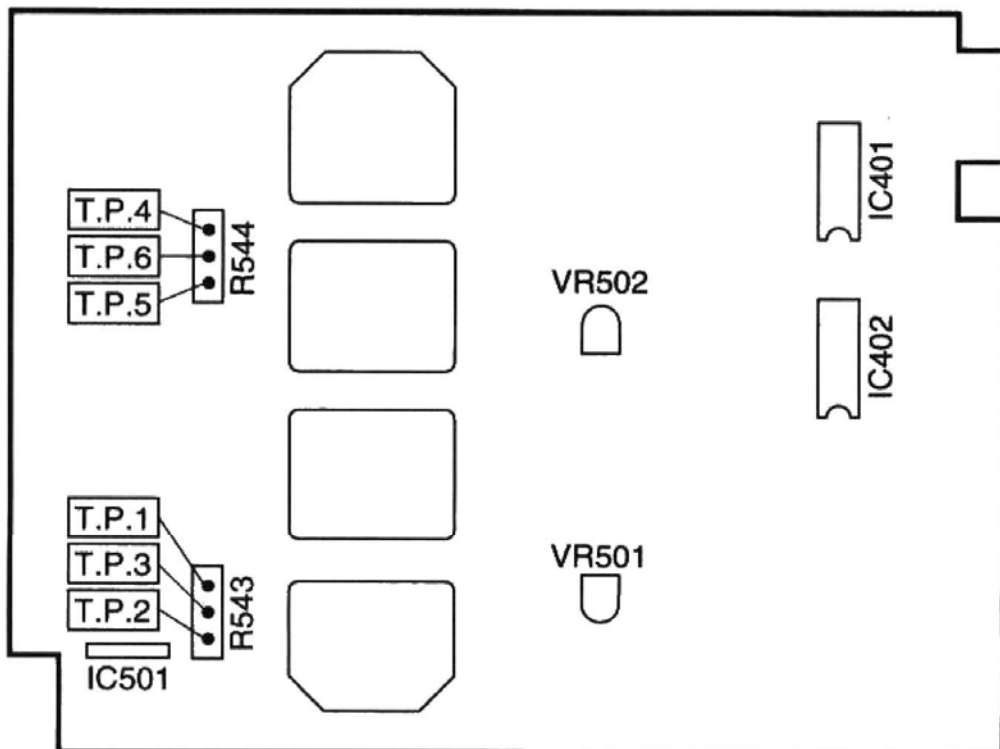
3. Adjustment Procedures

● Idling Adjustment

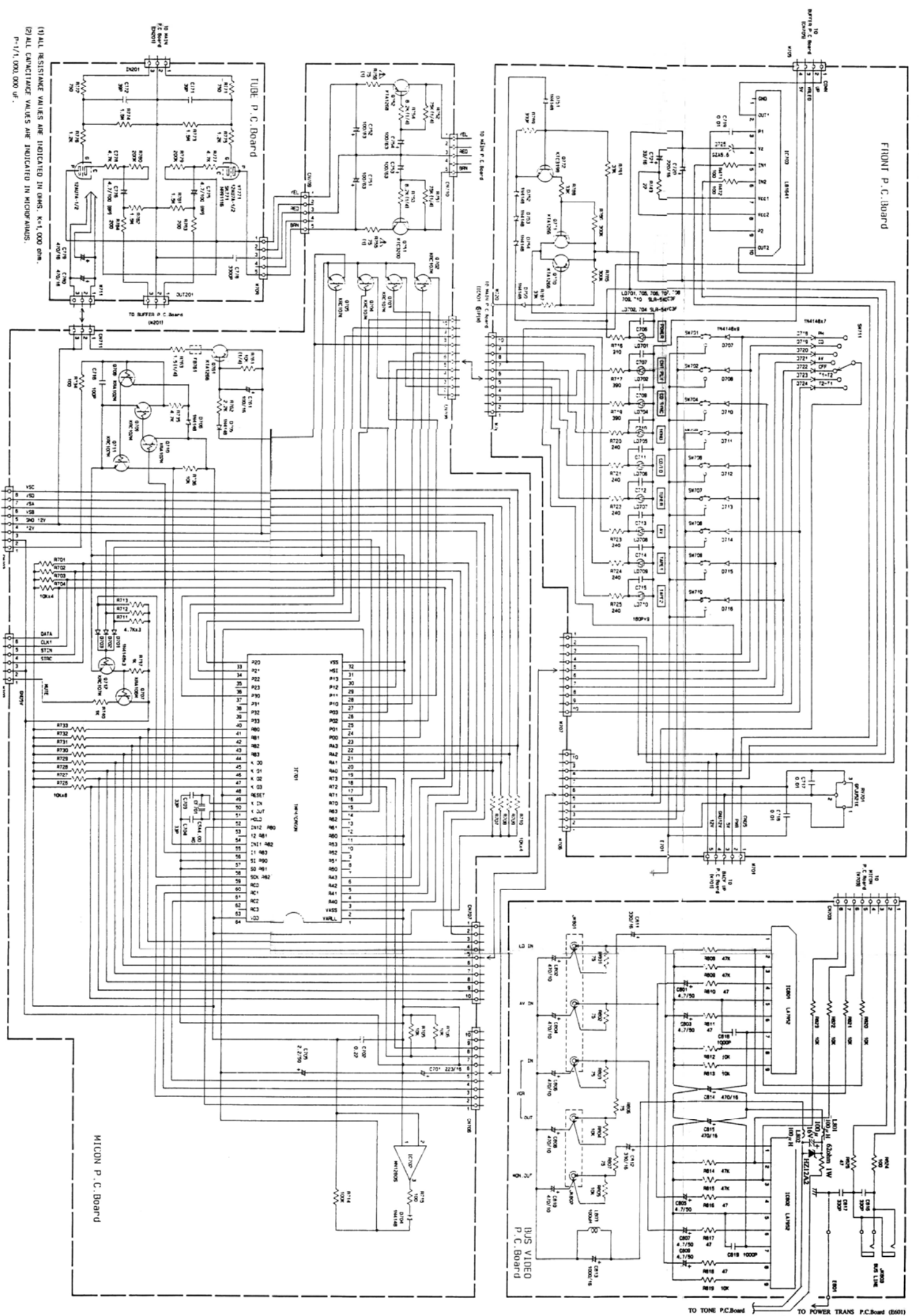
- (1) Set VR201 (Volume Control) to its minimum.
- (2) Adjust VR501 so that the voltage between T.P.1 (T.P.2) and T.P.3 is 2.2mV.
- (3) Adjust VR502 so that the voltage between T.P.4 (T.P.5) and T.P.6 is 2.2mV.

Note : Wait about 10 minutes after turning ON the power to make the above adjustment.

Adjustment Locations



Main. P.C.Board (Top View)



FRONT P.C. Board

TUBE P.C. Board

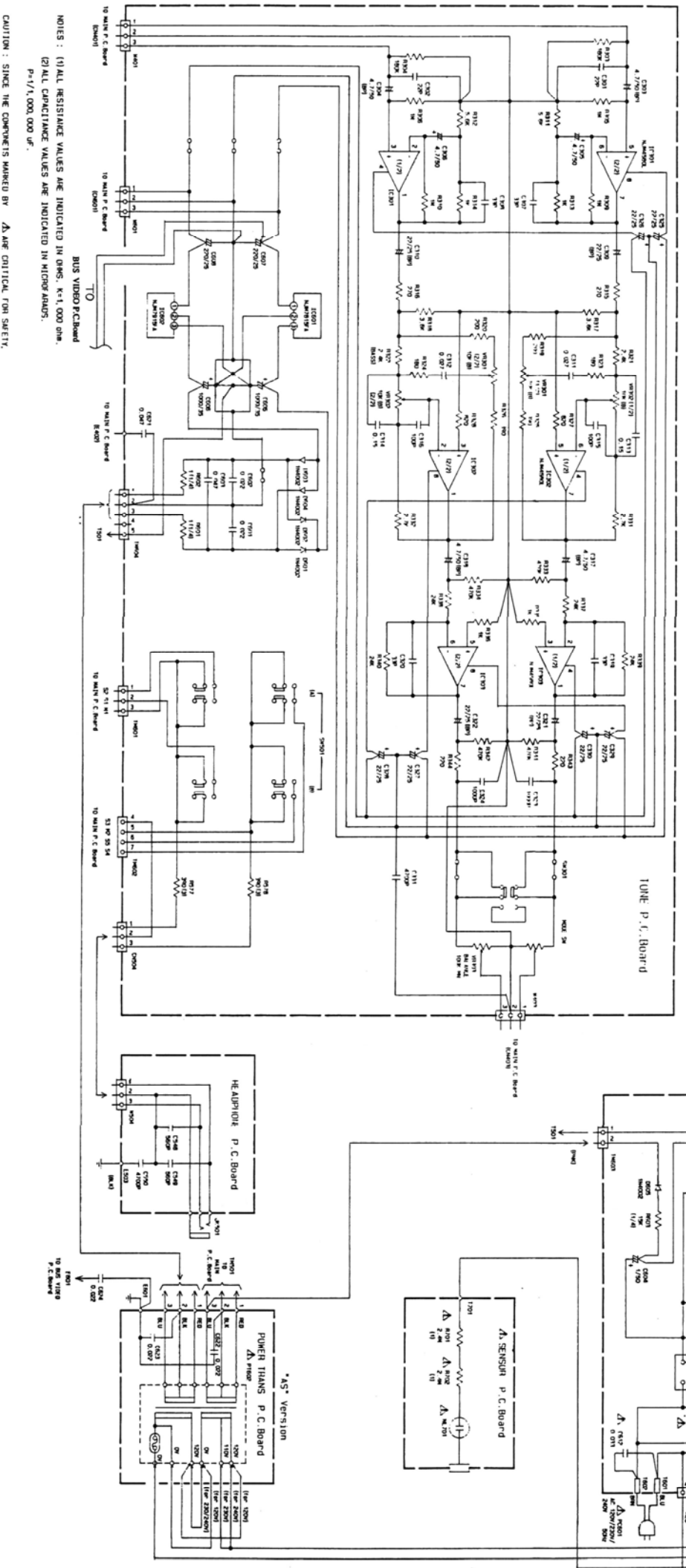
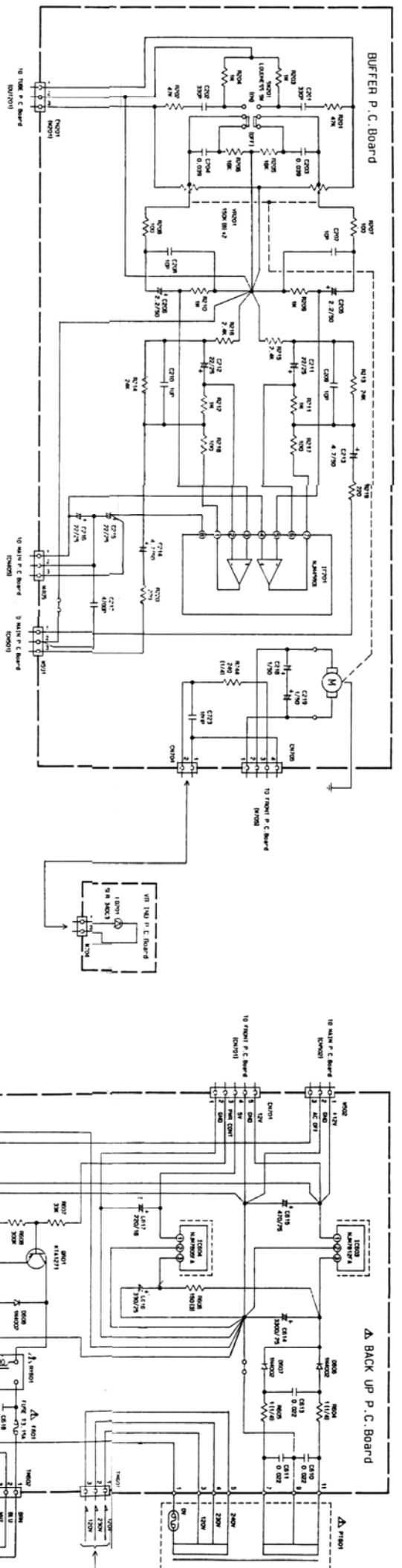
MICON P.C. Board

BUS VIDEO P.C. Board

TO TONE P.C. Board

TO POWER TRANS. P.C. Board (E601)

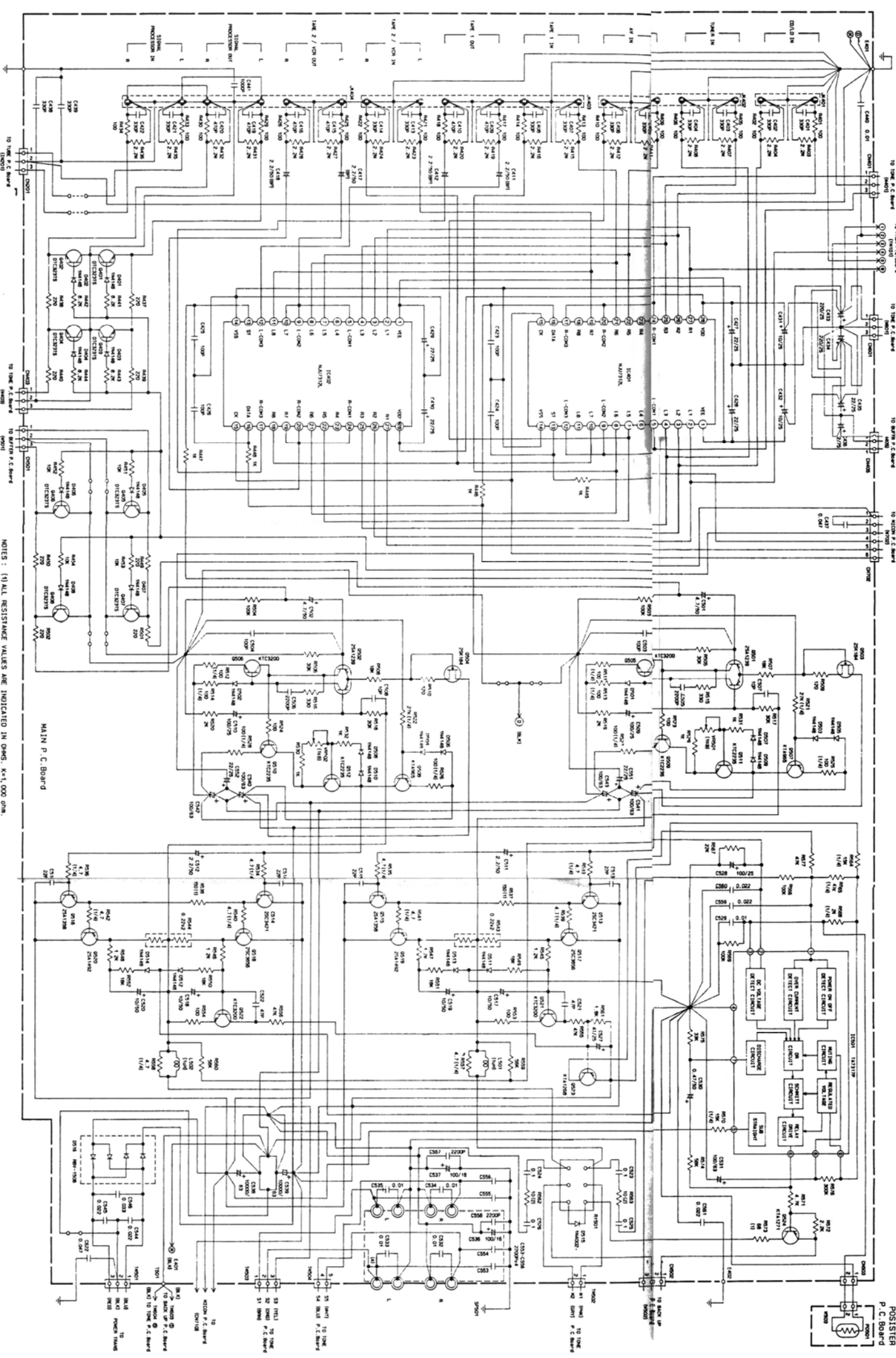
(1) ALL RESISTANCE VALUES ARE INDICATED IN OHMS, K=1,000 OHM.
(2) ALL CAPACITANCE VALUES ARE INDICATED IN MICROFARADS.



CAUTION : SINCE THE COMPONENTS MARKED BY Δ ARE CRITICAL FOR SAFETY.

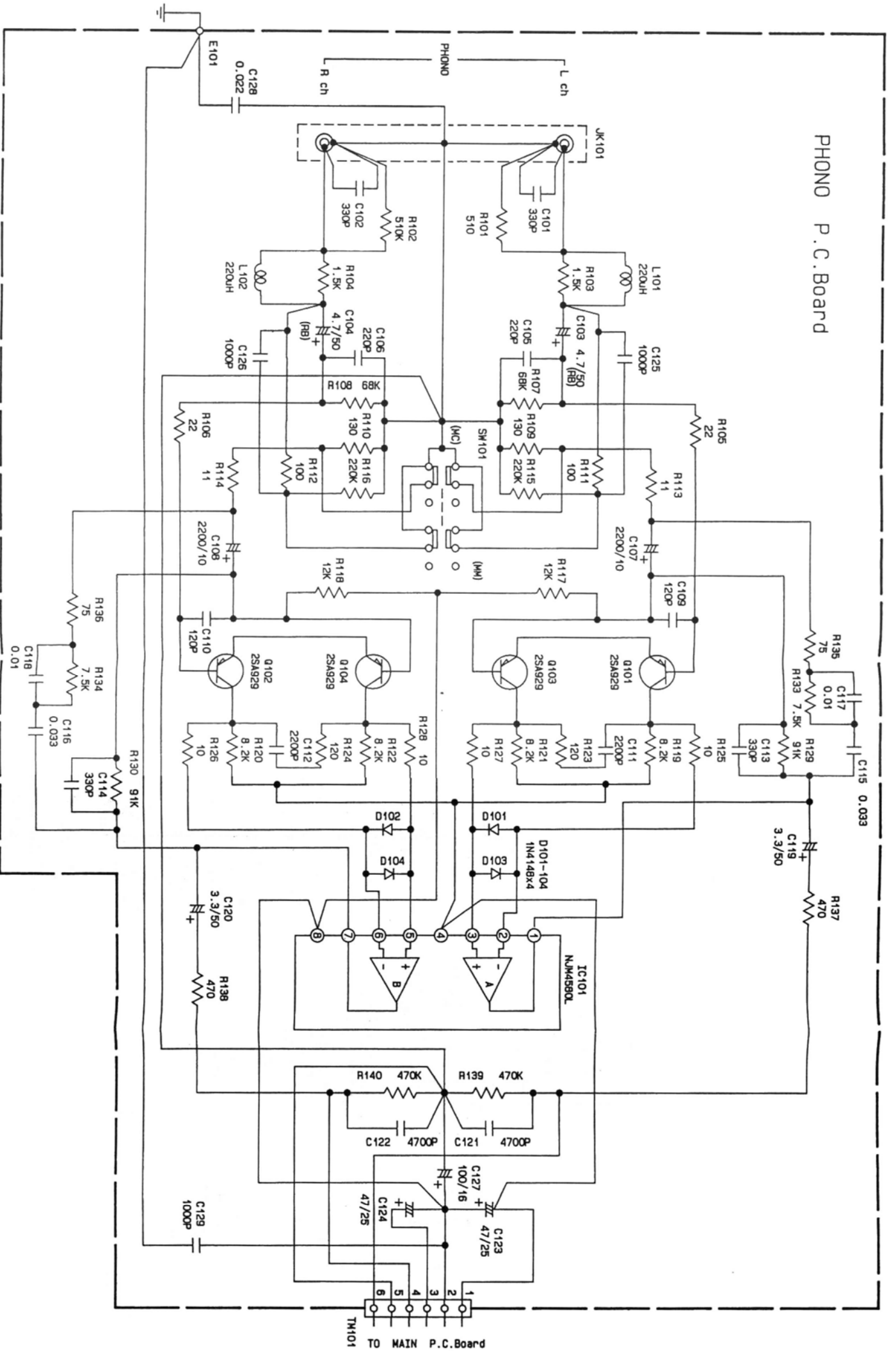
NOTES : (1) ALL RESISTANCE VALUES ARE INDICATED IN OHMS, K=1,000 OHM.
 (2) ALL CAPACITANCE VALUES ARE INDICATED IN MICROGRAMS.
 P=1/1,000,000 UF.

Schematic Diagram (3/4)



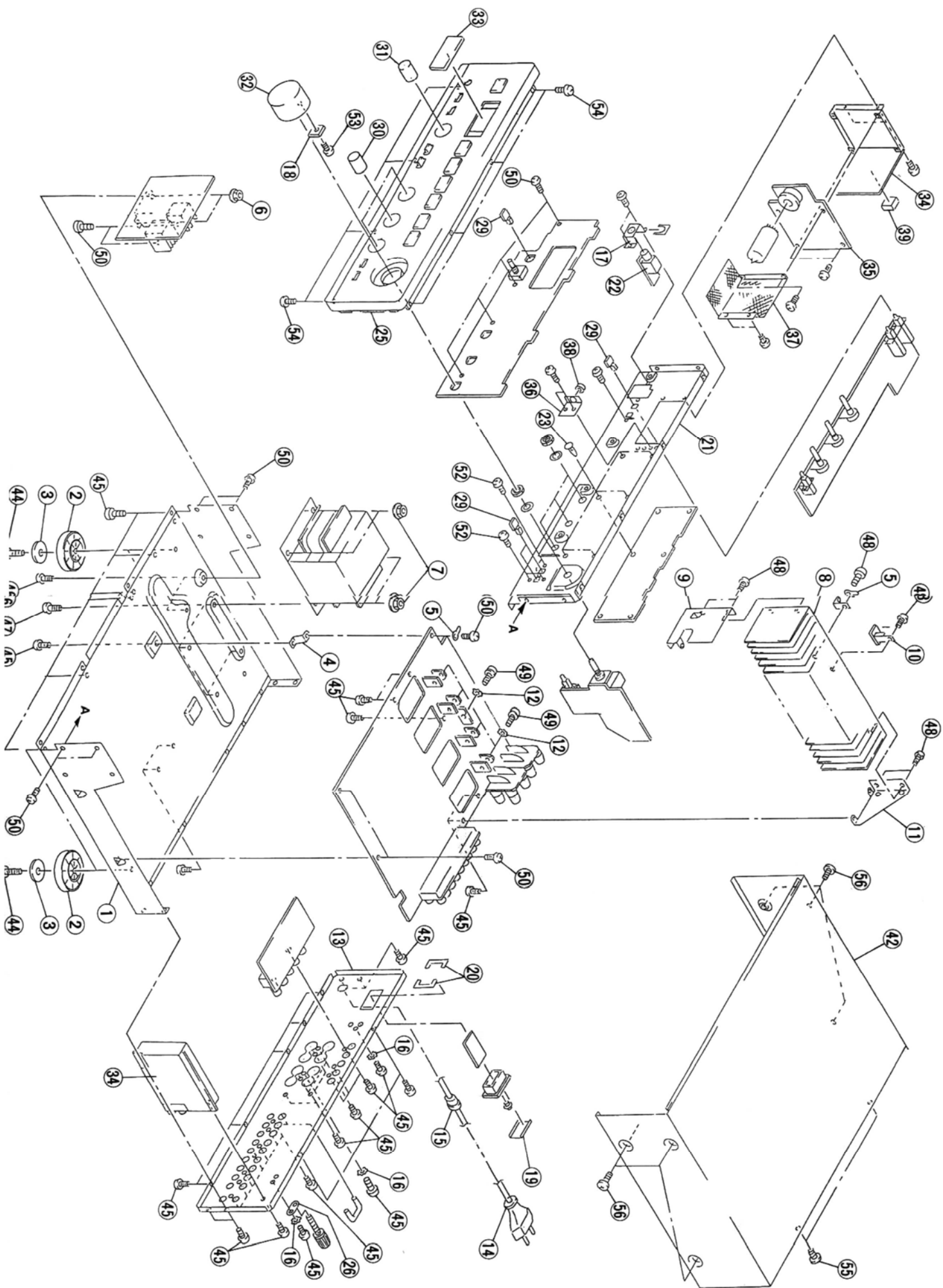
NOTES: (1) ALL RESISTANCE VALUES ARE INDICATED IN OHMS, K=1,000 OHM.
 (2) ALL CAPACITANCE VALUES ARE INDICATED IN MICROFARADS, P=1/1,000,000 UF.

Schematic Diagram (4/4)



NOTES: (1) ALL RESISTANCE VALUES ARE INDICATED IN OHMS. K=1,000 ohm.

Exploded View



Cabinet Assembly Parts List

Symbol No.	Parts No.	Description	Q'ty	Remark	Symbol No.	Parts No.	Description	Q'ty	Remark
1	40100072A	CHASSIS	1		29	655000112A	KNOB 50	4	MONO/LOUDNESS
2	60800012C	FOOT	4	GOLD	29	655000122A	KNOB 50	4	MONO/LOUDNESS
3	802500012A	PAD	4		30	652100052A	KNOB 21	3	BASS, TREBLE
4	41110002A	HOLDER	1	MAIN PCB	30	652100062A	KNOB 21	3	BASS, TREBLE
5	HALB30165N	LUG	1		31	652100072A	KNOB 21	1	REC OUT SELECTOR
6	HANF300-SY	FLANGE NUT	2	TRANS	31	652100082A	KNOB 21	1	REC OUT SELECTOR
7	HANF400-SY	FLANGE NUT	4	P-TRANS	32	652500052A	KNOB 25	1	VOLUME CONTROL
8	471100122C	HEAT SINK	1		32	652500062A	KNOB 25	1	VOLUME CONTROL
9	411100442A	HOLDER	1	HEAT SINK	33	713500282A	WINDOW	1	
10	411100452A	HOLDER	1	HEAT SINK	34	411100862A	HOLDER	1	(BACK PLATE TUBE)
11	411100432A	HOLDER	1	HEAT SINK	34	411100892A	HOLDER	1	(BACK PLATE TUBE)
12	HAWS30SSSY	SPRING WASHER	5	TR	35	411100872A	HOLDER	1	(BKT PCB)
13	707200602A	BACK PANEL	1	PRINT	36	411100882A	HOLDER	1	(SUPPORT TUBE)
14	311010600A	AC CORD	1	PC601	37	473200212A	SHIELD PLATE	1	
15	4810U0001A	CORD BUSHING	1		38	923800032A	BUSHING	1	HOLDER "882A"
16	HAWA30SSSN	TOOTHED WASHER	3	SP-TREM/3.5 JACK	39	851000292A	CUSHION	1	
16	HAWA30SSSN	TOOTHED WASHER	1	EARTH TERMINAL	42	601200162A	TOP CABINET	1	
16	HAWA30SSSN	TOOTHED WASHER	1	EARTH	44	HCBB4014SB	TAP TITE SCREW, 4x14BT-B	4	FOOT
17	413100052B	HOLDER	1		45	HCBB3008SB	TAP TITE SCREW, 3x8BT-B	36	HOLDER-032A
18	705100052A	LENS	1						EARTH TREM, RCA JACK, EARTH PLATE, CHASSIS/B-PANEL, CHASSIS/F-CHASSIS, HOLDER-HEAT SINK, HOLDER
19	602300012C	COVER	1		46	HCBC3012SB	TAP TITE SCREW, 3x12BT-C	2	TRANS
20	434600022C	LEAF SPRING	2		47	HCBC4012SB	TAP TITE SCREW, 4x12BT-C	4	P-TRANS
21	402000052E	FRONT CHASSIS	1		48	HCBB3006SY	TAP TITE SCREW, 3x6BT-B	6	HOLDER-MAIN PCB
22	411100462A	HOLDER	1	6.3 JACK	49	HCBB3010SY	TAP TITE SCREW, 3x10BT-B	5	TR
23	854900112A	DOUBLE CLIP	6	MICOM PCB	50	HCBB3008SY	TAP TITE SCREW, 3x8BT-B	25	HEAT SINK,F-PCB, CHASSIS/F-CHASSIS, MAIN PCB-CHASSIS
25	701500112A	FRONT PANEL ASS'Y	1		51	HCBB3010SB	TAP TITE SCREW, 3x10BT-B	5	SP-TREM/3.5 JACK
25	701500122A	FRONT PANEL ASS'Y	1		52	HCBC3006SY	TAP TITE SCREW, 3x6BT-C	7	PUSH SW
	701400332A	FRONT PANEL	1	INCL. 25	53	HCBB2606SY	TAP TITE SCREW, 2.6x6BT-B	1	IND PCB
	701400342A	FRONT PANEL	1	INCL. 25	54	HCBB3006SB	TAP TITE SCREW, 3x6BT-B	8	FRONT PANEL
	716000092A	KNOB GUIDE	1	INCL. 25	55	HCBC3008SB	TAP TITE SCREW, 3x8BT-C	2	TOP CABI
	716000102A	KNOB GUIDE	1	INCL. 25	56	HCBC4008SB	TAP TITE SCREW, 4x8BT-C	6	TOP CABI
	716000072A	KNOB GUIDE	4	INCL. 25		659501052A	KNOB 95	2	
	716000082A	KNOB GUIDE	4	INCL. 25		659501062A	KNOB 95	2	
	716000052A	KNOB GUIDE	2	INCL. 25		854700012A	CANOE CLIP	8	SP TERMINAL
	716000062A	KNOB GUIDE	2	INCL. 25		W00A374-C	WIRE KIT	1	
	715100102A	LENS	1	INCL. 25		713300012A	END CAP (R)	1	
	715100092A	LENS	2	INCL. 25		713300032A	END CAP (R)	1	
	716000032A	KNOB GUIDE	2	INCL. 25		713300022A	END CAP (L)	1	
	716000042A	KNOB GUIDE	2	INCL. 25		713300042A	END CAP (L)	1	
	715100072B	LENS	8	INCL. 25		854800132A	CABLE CLIP	1	
	716000012A	KNOB GUIDE	2	INCL. 25		851000012A	CUSHION	1	
	716000022A	KNOB GUIDE	2	INCL. 25					
	659501012A	KNOB 95	1	CD/LD,TUNER,AV INCL. 25					
	659501022A	KNOB 95	1	CD/LD,TUNER,AV INCL. 25					
	659501032A	KNOB 95	1	POWER,TAPE-1-2 INCL. 25					
	659501042A	KNOB 95	1	POWER,TAPE-1-2 INCL. 25					
	713700012A	GUIDE	1	WINDOW INCL..25					
	713700022A	GUIDE	1	WINDOW INCL. 25					
26	192210010A	GND TERMINAL	1	PHONO GND					

Symble No.	Parts No.	Description
C809	CEACK475M	CAP, ELY. 4.7 μ F 50V
C810	CEACE477M	CAP, ELY. 470 μ F 10V
C811	CEACG337M	CAP, ELY. 330 μ F 16V
C812	CEACG337M	CAP, ELY. 330 μ F 16V
C813	CEACG108M	CAP, ELY. 1000 μ F 16V
C814	CEACG477M	CAP, ELY. 470 μ F 16V
C815	CEACG477M	CAP, ELY. 470 μ F 16V
C816	CKDEK331KT	CAP, CER. 330PF \pm 10%
C817	CKDEK331KT	CAP, CER. 330PF \pm 10%
C818	CKDEK102KT	CAP, CER. 1000PF \pm 10%
C819	CKDEK102KT	CAP, CER. 1000PF \pm 10%

Resistors

R801	RC0XP750J	RES,C.F. 75 Ω \pm 5% 1/6W
R802	RC0XP750J	RES,C.F. 75 Ω \pm 5% 1/6W
R803	RC0XP750J	RES,C.F. 75 Ω \pm 5% 1/6W
R804	RC0XP103J	RES,C.F. 10k Ω \pm 5% 1/6W
R805	RC0XP103J	RES,C.F. 10k Ω \pm 5% 1/6W
R806	RC0XP750J	RES,C.F. 75 Ω \pm 5% 1/6W
R807	RC0XP750J	RES,C.F. 75 Ω \pm 5% 1/6W
R808	RC0XP473J	RES,C.F. 47k Ω \pm 5% 1/6W
R809	RC0XP473J	RES,C.F. 47k Ω \pm 5% 1/6W
R810	RC0XP470J	RES,C.F. 47 Ω \pm 5% 1/6W
R811	RC0XP470J	RES,C.F. 47 Ω \pm 5% 1/6W
R812	RC0XP103J	RES,C.F. 10k Ω \pm 5% 1/6W
R813	RC0XP103J	RES,C.F. 10k Ω \pm 5% 1/6W
R814	RC0XP473J	RES,C.F. 47k Ω \pm 5% 1/6W
R815	RC0XP473J	RES,C.F. 47k Ω \pm 5% 1/6W
R816	RC0XP470J	RES,C.F. 47 Ω \pm 5% 1/6W
R817	RC0XP470J	RES,C.F. 47 Ω \pm 5% 1/6W

Symble No.	Parts No.	Description
R818	RC0XP470J	RES,C.F. 47 Ω \pm 5% 1/6W
R819	RC0XP103J	RES,C.F. 10k Ω \pm 5% 1/6W
R820	RC0XP103J	RES,C.F. 10k Ω \pm 5% 1/6W
R821	RC0XP103J	RES,C.F. 10k Ω \pm 5% 1/6W
R822	RC0XP103J	RES,C.F. 10k Ω \pm 5% 1/6W
R823	RC0XP103J	RES,C.F. 10k Ω \pm 5% 1/6W
R824	RC0XP101J	RES,C.F. 100 Ω \pm 5% 1/6W
R825	RC0XP470J	RES,C.F. 47 Ω \pm 5% 1/6W

Others

CN703	1939U0057A	WIRE CONNECTOR
E801	194403140A	PIN TERMINAL
JK801	1920U0008A	RCA JACK
JK802	1920U0006A	RCA JACK
JK803	1912U0002A	3.5 JACK
L801	1420U0072A	INDUCTOR
L802	1420U0072A	INDUCTOR
L803	1420U0072A 2011U048A	INDUCTOR VIDEO PCB

POWER TRANS P. C. Board

Capacitors

C622	CKJPK223Z	CAP,CER. 0.022 μ F $\begin{smallmatrix} +80 \\ -20 \end{smallmatrix}$ % 50V
C623	CKJPK223Z	CAP,CER. 0.022 μ F $\begin{smallmatrix} +80 \\ -20 \end{smallmatrix}$ % 50V
C624	CKJPK223Z	CAP,CER. 0.022 μ F $\begin{smallmatrix} +80 \\ -20 \end{smallmatrix}$ % 50V

Others

E601	194403140A	PIN TERMINAL
PT602	1010U010SC 2011U055A	POWER TRANS POWER TRANS PCB

Symble No.	Parts No.	Description
D722	SDSIU0007	DIO,1N4148
D723	SDSIU0007	DIO,1N4148
D724	SDSIU0007	DIO,1N4148
D725	SZMTZ5.6C	ZENER DIO, MTZ5.6(C)
D750	SDSIU0007	DIO,1N4148
D751	SDSIU0007	DIO,1N4148
D752	SDSIU0007	DIO,1N4148
D753	SDSIU0007	DIO,1N4148
D754	SDSIU0007	DIO,1N4148
LD701	SL-AU0012A	LED,SLR-54DC3F
LD702	SL-RU0008A	LED,SLR-54VC3F
LD704	SL-RU0008A	LED,SLR-54VC3F
LD705	SL-AU0012A	LED,SLR-54DC3F
LD706	SL-AU0012A	LED,SLR-54DC3F
LD707	SL-AU0012A	LED,SLR-54DC3F
LD708	SL-AU0012A	LED,SLR-54DC3F
LD709	SL-AU0012A	LED,SLR-54DC3F
LD710	SL-AU0012A	LED,SLR-54DC3F

Capacitors

C706	CKDEK181KT	CAP,CER. 180Ω ±10%
C707	CKDEK181KT	CAP,CER. 180Ω ±10%
C709	CKDEK181KT	CAP,CER. 180Ω ±10%
C710	CKDEK181KT	CAP,CER. 180Ω ±10%
C711	CKDEK181KT	CAP,CER. 180Ω ±10%
C712	CKDEK181KT	CAP,CER. 180Ω ±10%
C713	CKDEK181KT	CAP,CER. 180Ω ±10%
C714	CKDEK181KT	CAP,CER. 180Ω ±10%
C715	CKDEK181KT	CAP,CER. 180Ω ±10%
C717	CKJPK103Z	CAP,CER. 0.01μF $\pm \frac{80}{20}$ % 50V
C718	CKJPK103Z	CAP,CER. 0.01μF $\pm \frac{80}{20}$ % 50V
C719	CKJPK103Z	CAP,CER. 0.01μF $\pm \frac{80}{20}$ % 50V
C720	CEACG227MJ	CAP,ELY. 220μF 16V
C721	CEACG336MJ	CAP,ELY. 33μF 16V

Resistors

R471	RC0XP101J	RES,C.F. 100Ω ±5% 1/6W
R472	RC0XP101J	RES,C.F. 100Ω ±5% 1/6W
R716	RCSQP911J	RES,C.F. 910Ω ±5% 1/4W
R717	RCSQP391J	RES,C.F. 390Ω ±5% 1/4W
R719	RCSQP391J	RES,C.F. 390Ω ±5% 1/4W
R720	RCSQP241J	RES,C.F. 240Ω ±5% 1/4W
R721	RCSQP241J	RES,C.F. 240Ω ±5% 1/4W
R722	RCSQP241J	RES,C.F. 240Ω ±5% 1/4W
R723	RCSQP241J	RES,C.F. 240Ω ±5% 1/4W
R724	RCSQP241J	RES,C.F. 240Ω ±5% 1/4W
R725	RCSQP241J	RES,C.F. 240Ω ±5% 1/4W
R743	RX01H220J	RES,M.O. 22Ω ±5% 1/20W
R785	RC0XP304J	RES,C.F. 300Ω ±5% 1/6W
R786	RC0XP304J	RES,C.F. 300kΩ ±5% 1/6W
R787	RC0XP333J	RES,C.F. 33kΩ ±5% 1/6W
R788	RC0XP333J	RES,C.F. 33kΩ ±5% 1/6W
R789	RC0XP304J	RES,C.F. 300kΩ ±5% 1/6W
R791	RC0XP333J	RES,C.F. 33kΩ ±5% 1/6W

Others

E701	199200012B	EARTH PLATE
RV701	5286U0001A	REM-SENSOR
SW701	1870U0005A	KEY SW
SW702	1870U0005A	KEY SW

Symble No.	Parts No.	Description
SW704	1870U0005A	KEY SW
SW705	1870U0005A	KEY SW
SW706	1870U0005A	KEY SW
SW707	1870U0005A	KEY SW
SW708	1870U0005A	KEY SW
SW709	1870U0005A	KEY SW
SW710	1870U0005A	KEY SW
SW711	1811U0001A	ROTARY SW
W701	1939U0065A	WIRE CONNECTOR
W705	1939U0064A	WIRE CONNECTOR
W720	1939U0062A	WIRE CONNECTOR
W720	1944U0004A	PIN TERMINAL
	2011U137A	FRONT PCB

TUBE P. C. Board

Capacitors

C771	CMQFV390JS	CAP,MICA 39PF ±5% 500V
C772	CMQFV390JS	CAP,MICA 39PF ±5% 500V
C775	CENCN475M	CAP,ELY. 4.7μF 100V
C776	CENCN475M	CAP,ELY. 4.7μF 100V
C778	CPQMK332JLS	CAP,PE 3300PF ±5% 50V
C779	CEACG477M	CAP,ELY. 470μF 16V
C780	CEACG477M	CAP,ELY. 470μF 16V

Resistors

R771	RCSQP751J	RES,C.F. 750Ω ±5% 1/4W
R772	RCSQP751J	RES,C.F. 750Ω ±5% 1/4W
R773	RCSQP155J	RES,C.F. 1.5MΩ ±5% 1/4W
R774	RCSQP155J	RES,C.F. 1.5MΩ ±5% 1/4W
R775	RCSQP122J	RES,C.F. 1.2kΩ ±5% 1/4W
R776	RCSQP122J	RES,C.F. 1.2kΩ ±5% 1/4W
R777	RCSQP472J	RES,C.F. 4.7kΩ ±5% 1/4W
R778	RCSQP472J	RES,C.F. 4.7kΩ ±5% 1/4W
R779	RCSQP204J	RES,C.F. 200kΩ ±5% 1/4W
R780	RCSQP204J	RES,C.F. 200kΩ ±5% 1/4W
R781	RCSQP155J	RES,C.F. 1.5MΩ ±5% 1/4W
R782	RCSQP155J	RES,C.F. 1.5MΩ ±5% 1/4W
R783	RCSQP201J	RES,C.F. 200Ω ±5% 1/4W
R784	RCSQP201J	RES,C.F. 200Ω ±5% 1/4W

Others

SK771	1998U0004A	SOCKET
VT771	2495U0002A	VACUUM TUBE
	2011U138A	TUBE PCB

VIDEO P. C. Board

IC's

IC801	SILA7952	IC,LA7952
IC802	SILA7952	IC,LA7952

Capacitors

C801	CEACK475M	CAP, ELY. 4.7μF 50V
C802	CEACE477M	CAP, ELY. 470μF 10V
C803	CEACK475M	CAP, ELY. 4.7μF 50V
C804	CEACE477M	CAP, ELY. 470μF 10V
C805	CEACK475M	CAP, ELY. 4.7μF 50V
C806	CEACE477M	CAP, ELY. 470μF 10V
C807	CEACK475M	CAP, ELY. 4.7μF 50V
C808	CEACE477M	CAP, ELY. 470μF 10V

Symble No.	Parts No.	Description
MICOM P. C. Board		
IC's		
IC701 IC702	SITPU0004 SIMN1280S	IC,TMP47C860N-G091 IC,MN1280S
Transistors		
Q702 Q703 Q704 Q705 Q707	STDC114YS STDC114YS STDC114YS STDC114YS STDA123JS	TR,DTC114YS TR,DTC114YS TR,DTC114YS TR,DTC114YS TR,DTA123JS
Q708 Q709 Q710 Q711 Q712	STDA114ES STDC114ES STDA114ES STDC114ES STDC114YS	TR,DTA114ES TR,DTC114ES TR,DTA114ES TR,DTC114ES TR,DTC114YS
Q751 Q752 Q761	STKC3200-G STKA1268G STKA1266-G	TR,KTC3200(GR) TR,KTA1268(GR) TR,KTA1266(GR)
Diodes		
D701 D702 D703 D704 D705	SDSIU0007 SDSIU0007 SDSIU0007 SDSIU0007 SDSIU0007	DIO,1N4148 DIO,1N4148 DIO,1N4148 DIO,1N4148 DIO,1N4148
D706	SDSIU0007	DIO,1N4148
Capacitors		
C701 C702 C703 C704 C705	CEACG227MJ CKJPK223Z CCDBK330JT CCDBK330JT CEACK225MJ	CAP,ELY.220µF 16V CAP,CER.0.022µF ⁺⁸⁰ / ₋₂₀ % 50V CAP,CER.33PF ±5% CAP,CER.33PF ±5% CAP,ELY.2.2µF 50V
C716 C751 C752 C753 C754	CKDEK101KT CEACL107M CEACL107M CEACL107M CEACL107M	CAP,CER.100PF ±10% CAP,ELY.100µF 63V CAP,ELY.100µF 63V CAP,ELY.100µF 63V CAP,ELY.100µF 63V
C761	CEACG107MJ	CAP,ELY.100µF 16V
Resistors		
R701 R702 R703 R704 R705	RC0XP103J RC0XP103J RC0XP103J RC0XP103J RC0XP103J	RES,C.F. 10kΩ ±5% 1/6W RES,C.F. 10kΩ ±5% 1/6W RES,C.F. 10kΩ ±5% 1/6W RES,C.F. 10kΩ ±5% 1/6W RES,C.F. 10kΩ ±5% 1/6W
R706 R707 R708 R709 R710	RC0XP103J RC0XP103J RC0XP103J RC0XP103J RC0XP103J	RES,C.F. 10kΩ ±5% 1/6W RES,C.F. 10kΩ ±5% 1/6W RES,C.F. 10kΩ ±5% 1/6W RES,C.F. 10kΩ ±5% 1/6W RES,C.F. 10kΩ ±5% 1/6W
R711 R712 R713 R714 R715	RC0XP472J RC0XP472J RC0XP472J RC0XP104J RC0XP101J	RES,C.F. 4.7kΩ ±5% 1/6W RES,C.F. 4.7kΩ ±5% 1/6W RES,C.F. 4.7kΩ ±5% 1/6W RES,C.F. 100kΩ ±5% 1/6W RES,C.F. 100Ω ±5% 1/6W
R726	RC0XP103J	RES,C.F. 10kΩ ±5% 1/6W

Symble No.	Parts No.	Description
R727 R728 R729 R730 R731	RC0XP103J RC0XP103J RC0XP103J RC0XP103J RC0XP103J	RES,C.F. 10kΩ ±5% 1/6W RES,C.F. 10kΩ ±5% 1/6W RES,C.F. 10kΩ ±5% 1/6W RES,C.F. 10kΩ ±5% 1/6W RES,C.F. 10kΩ ±5% 1/6W
R732 R733 R734 R735 R736	RC0XP103J RC0XP103J RC0XP101J RC0XP472J RC0XP103J	RES,C.F. 10kΩ ±5% 1/6W RES,C.F. 10kΩ ±5% 1/6W RES,C.F. 100Ω ±5% 1/6W RES,C.F. 4.7kΩ ±5% 1/6W RES,C.F. 10kΩ ±5% 1/6W
R737 R740 R751 R752 R753	RC0XP102J RC0XP102J RCSQP753J RCSQP753J RCSQP822J	RES,C.F. 1kΩ ±5% 1/6W RES,C.F. 1kΩ ±5% 1/6W RES,C.F. 75kΩ ±5% 1/4W RES,C.F. 75kΩ ±5% 1/4W RES,C.F. 8.2kΩ ±5% 1/4W
R754 R755 R756 R761 R762	RCSQP822J RX01H750J RX01H750J RCSQP103J RCSQP222J	RES,C.F. 8.2kΩ ±5% 1/4W RES,M.O. 75Ω ±5% 1/20W RES,M.O. 75Ω ±5% 1/20W RES,C.F. 10kΩ ±5% 1/4W RES,C.F. 2.2kΩ ±5% 1/4W
R763	RCSQP1R5J	RES,C.F. 1.5Ω ±5% 1/4W
Others		
CF701 CN703 CN706 CN707 CN708	39111001UA 1939U0068A 1941U0314A 1941U0314A 1941U0314A	RESONATOR WIRE CONNECTOR PIN CONNECTOR PIN CONNECTOR PIN CONNECTOR
CN709 CN710 CN711 FB761 W702	1941U0266A 1941U0266A 1941U0264A 5880U0003A 1939U0066A	PIN CONNECTOR PIN CONNECTOR PIN CONNECTOR CORE WIRE CONNECTOR
	2011U136A	MICOM PCB
FRONT P. C. Board		
IC		
IC703	SILB1641	IC,LB1641
Transistors		
Q770 Q771 Q772	STKA1266-G STKA1266-G STKC3198-G	TR,KTA1266(GR) TR,KTA1266(GR) TR,KTC3198(GR)
Diodes		
D707 D708 D710 D711 D712	SDSIU0007 SDSIU0007 SDSIU0007 SDSIU0007 SDSIU0007	DIO,1N4148 DIO,1N4148 DIO,1N4148 DIO,1N4148 DIO,1N4148
D713 D714 D715 D716 D717	SDSIU0007 SDSIU0007 SDSIU0007 SDSIU0007 SDSIU0007	DIO,1N4148 DIO,1N4148 DIO,1N4148 DIO,1N4148 DIO,1N4148
D718 D719 D720 D721	SDSIU0007 SDSIU0007 SDSIU0007 SDSIU0007	DIO,1N4148 DIO,1N4148 DIO,1N4148 DIO,1N4148

Symble No.	Parts No.	Description
R316	RC0XP271J	RES,C.F. 270Ω ±5% 1/6W
R317	RC0XP362J	RES,C.F. 3.6kΩ ±5% 1/6W
R318	RC0XP362J	RES,C.F. 3.6kΩ ±5% 1/6W
R319	RC0XP201J	RES,C.F. 200Ω ±5% 1/6W
R320	RC0XP201J	RES,C.F. 200Ω ±5% 1/6W
R321	RC0XP242J	RES,C.F. 2.4kΩ ±5% 1/6W
R322	RC0XP242J	RES,C.F. 2.4kΩ ±5% 1/6W
R323	RC0XP181J	RES,C.F. 180Ω ±5% 1/6W
R324	RC0XP181J	RES,C.F. 180Ω ±5% 1/6W
R325	RC0XP391J	RES,C.F. 390Ω ±5% 1/6W
R326	RC0XP391J	RES,C.F. 390Ω ±5% 1/6W
R327	RC0XP821J	RES,C.F. 820Ω ±5% 1/6W
R328	RC0XP821J	RES,C.F. 820Ω ±5% 1/6W
R331	RC0XP272J	RES,C.F. 2.7kΩ ±5% 1/6W
R332	RC0XP272J	RES,C.F. 2.7kΩ ±5% 1/6W
R333	RC0XP474J	RES,C.F. 470kΩ ±5% 1/6W
R334	RC0XP474J	RES,C.F. 470kΩ ±5% 1/6W
R335	RC0XP102J	RES,C.F. 1kΩ ±5% 1/6W
R336	RC0XP102J	RES,C.F. 1kΩ ±5% 1/6W
R337	RC0XP243J	RES,C.F. 24kΩ ±5% 1/6W
R338	RC0XP243J	RES,C.F. 24kΩ ±5% 1/6W
R339	RC0XP243J	RES,C.F. 24kΩ ±5% 1/6W
R340	RC0XP243J	RES,C.F. 24kΩ ±5% 1/6W
R341	RC0XP474J	RES,C.F. 470kΩ ±5% 1/6W
R342	RC0XP474J	RES,C.F. 470kΩ ±5% 1/6W
R343	RC0XP221J	RES,C.F. 220Ω ±5% 1/6W
R344	RC0XP221J	RES,C.F. 220Ω ±5% 1/6W
R577	RX03H391J	RES,M.O. 390Ω ±5% 5W
R578	RX03H391J	RES,M.O. 390Ω ±5% 5W
R601	RF0QH1R0J	RES,F.R. 1Ω ±5% 1/4W
R602	RF0QH1R0J	RES,F.R. 1Ω ±5% 1/4W
VR301	1716U0013A	ROTARY VR, RK1631250-10KB×2
VR302	1716U0013A	ROTARY VR, RK1631250-10KB×2
VR303	1729U0012A	ROTARY VR, RK1631250-100KMN
Others		
CN504	1939U0013A	WIRE CONNECTOR
SW301	1821U0009A	PUSH SW
SW501	1822U0004A	PUSH SW
TM601	1941U0037A	PIN TERMINAL
TM602	1941U0038A	PIN TERMINAL
TM604	1941U0039A	PIN TERMINAL
W401	1939U0063A	WIRE CONNECTOR
W403	1939U0063A	WIRE CONNECTOR
W601	1939U0063A 2011U044A	WIRE CONNECTOR TONE PCB
	1939U0063A	WIRE CONNECTOR FOR IC601,602
HEADPHONES P. C. Board		
Capacitors		
C548	CKJEV561K	CAP,CER. 560PF ±10% 500V
C549	CKJEV561K	CAP,CER. 560PF ±10% 500V
C550	CKJEK472K	CAP,CER. 4700PF ±10% 50V
Others		
E503	194403140A	PIN TERNINAL
JK501	19101004UA	6.3 JACK
W504	1939U0063A	WIRE CONNECTOR

Symble No.	Parts No.	Description
	2011U051A	HEADPHONES PCB
SENSOR P. C. Board		
Resistors		
R701	RM01P245JH	RES,M.F. 2.4MΩ ±5%
R702	RM01P245JH	RES,M.F. 2.4MΩ ±5%
Others		
NL701	2451U0001A	NEON LAMP
T701	194410110A 2011U049A	PIN TERMINAL SENSOR PCB
BACK UP P. C. Board		
IC's		
IC603	SINM7812FA	IC,NJM7812FA
IC604	SINM7805FA	IC,NJM7805FA
Transistor		
Q601	STKA1271-Y	TR,KTA1271(Y)
Diodes		
D605	SDSIU0006	DIO,1N4002A
D606	SDSIU0006	DIO,1N4002A
D607	SDSIU0006	DIO,1N4002A
D608	SDSIU0006	DIO,1N4002A
Capacitors		
C604	CEACK105M	CAP,ELY. 1μF 50V
C610	CKJPK223Z	CAP,CER. 0.022μF \pm_{20}^{80} % 50V
C611	CKJPK223Z	CAP,CER. 0.022μF \pm_{20}^{80} % 50V
C612	CLUCEU0320	CAP,LINE 0.033μF \pm_{20}^{20} % 100V
C613	CKJPK223Z	CAP,CER. 0.022μF \pm_{20}^{80} % 50V
C614	CEACI338M	CAP,ELY. 3300μF 25V
C615	CEACI477M	CAP,ELY. 470μF 25V
C616	CEACI337M	CAP,ELY. 330μF 25V
C617	CEACG227M	CAP,ELY. 220μF 16V
C618	CLUCEU0510	CAP,LINE 0.01μF +100%
Resistors		
R603	RCSQP153J	RES, C.F. 15kΩ ±5% 1/4W
R604	RF0QH1R0J	RES,F.R. 1Ω ±5% 1/4W
R605	RF0QH1R0J	RES,F.R. 1Ω ±5% 1/4W
R606	RX03H151J	RES,M.O. 150Ω ±5% 5W
R607	RC0XP333J	RES,C.F. 33kΩ ±5% 1/6W
R608	RC0XP304J	RES,C.F. 300kΩ ±5% 1/6W
Others		
CN701	1939U0015A	WIRE CONNECTOR
F601	25122004UA	FUSE 250V T3.15A
PT601	1010U006SC	POWER TRANS
RY601	58101002UA	RELAY
T601	194410110A	PIN TERMINAL
T602	194410110A	PIN TERMINAL
TM601	1941U0037A	PIN TERMINAL
TM602	1941U0038A	PIN TERMINAL
TM603	1941U0036A	PIN TERMINAL
W502	1939U0063A	WIRE CONNECTOR
	2011U045A 197303321A 471100033A	BACK UP PCB FUSE CLIP HEAT SINK FOR IC603,604

Symble No.	Parts No.	Description
C211	CEACI226M	CAP,ELY. 22μF 25V
C212	CEACI226M	CAP,ELY. 22μF 25V
C213	CEACK475M	CAP,ELY. 4.7μF 50V
C214	CEACK475M	CAP,ELY. 4.7μF 50V
C215	CEACI226M	CAP,ELY. 22μF 25V
C216	CEACI226M	CAP,ELY. 22μF 25V
C217	CQQMK472J	CAP,MYL. 4700PF ±5% 50V
C218	CEACK105M	CAP,ELY. 1μF 50V
C219	CEACK105M	CAP,ELY. 1μF 50V
C723	CKDEK181KT	CAP,CER. 180PF ±10%

Resistors

R201	RC0XP473J	RES,C.F. 47kΩ ±5% 1/6W
R202	RC0XP473J	RES,C.F. 47kΩ ±5% 1/6W
R203	RC0XP105J	RES,C.F. 1MΩ ±5% 1/6W
R204	RC0XP105J	RES,C.F. 1MΩ ±5% 1/6W
R205	RC0XP163J	RES,C.F. 16kΩ ±5% 1/6W
R206	RC0XP163J	RES,C.F. 16kΩ ±5% 1/6W
R207	RC0XP101J	RES,C.F. 100Ω ±5% 1/6W
R208	RC0XP101J	RES,C.F. 100Ω ±5% 1/6W
R209	RC0XP105J	RES,C.F. 1MΩ ±5% 1/6W
R210	RC0XP105J	RES,C.F. 1MΩ ±5% 1/6W
R211	RC0XP105J	RES,C.F. 1MΩ ±5% 1/6W
R212	RC0XP105J	RES,C.F. 1MΩ ±5% 1/6W
R213	RC0XP243J	RES,C.F. 24kΩ ±5% 1/6W
R214	RC0XP243J	RES,C.F. 24kΩ ±5% 1/6W
R215	RC0XP242J	RES,C.F. 2.4kΩ ±5% 1/6W
R216	RC0XP242J	RES,C.F. 2.4kΩ ±5% 1/6W
R217	RC0XP101J	RES,C.F. 100Ω ±5% 1/6W
R218	RC0XP101J	RES,C.F. 100Ω ±5% 1/6W
R219	RC0XP221J	RES,C.F. 220Ω ±5% 1/6W
R220	RC0XP221J	RES,C.F. 220Ω ±5% 1/6W
R744	RCSQP241J	RES,C.F. 240Ω ±5% 1/4W
VR201	1729U0011A	ROTARY VR, RK16312MC1N3 -150KB ×2

Others

CN201	1941U0264A	PIN CONNECTOR
CN704	194113250A	PIN CONNECTOR
CN705	1939U0014A	WIRE CONNECTOR
SW201	18221001UA	PUSH SW
W405	1939U0063A	WIRE CONNECTOR
W501	1939U0063A 2011U046B	WIRE CONNECTOR BUFFER PCB

VR IND. P. C. Board

Diode

LD201	SL-AU0009	LED,SLR-34DC3
-------	-----------	---------------

Other

	2011U050A	P-LED PCB
--	-----------	-----------

TONE P. C. Board

IC's

IC301	SINM4580L	IC,NJM4580L
IC302	SINM4580L	IC,NJM4580L
IC303	SINM4580L	IC,NJM4580L
IC601	SINM7815FA	IC,NJM7815FA
IC602	SINM7915FA	IC,NJM7915FA

Symble No.	Parts No.	Description
Diodes		
D601	SDSIU0006	DIO,1N4002
D602	SDSIU0006	DIO,1N4002
D603	SDSIU0006	DIO,1N4002
D604	SDSIU0006	DIO,1N4002

Capacitors

C301	CCDVK220JT	CAP,CER. 22PF ±5%
C302	CCDVK220JT	CAP,CER. 22PF ±5%
C303	CENCK475M	CAP,ELY. 4.7μF 50V
C304	CENCK475M	CAP,ELY. 4.7μF 50V
C305	CEACK475M	CAP,ELY. 4.7μF 50V
C306	CEACK475M	CAP,ELY. 4.7μF 50V
C307	CCDVK330JT	CAP,CER. 33PF ±5%
C308	CCDVK330JT	CAP,CER. 33PF ±5%
C309	CENCI226M	CAP,ELY. 22μF 25V
C310	CENCI226M	CAP,ELY. 22μF 25V
C311	CQQMK273J	CAP,MYL. 0.027μF ±5% 50V
C312	CQQMK273J	CAP,MYL. 0.027μF ±5% 50V
C313	CQQMK154J	CAP,MYL. 0.15μF ±5% 50V
C314	CQQMK154J	CAP,MYL. 0.15μF ±5% 50V
C315	CKDEK101KT	CAP,CER. 100PF ±10%
C316	CKDEK101KT	CAP,CER. 100PF ±10%
C317	CENCK475M	CAP,ELY. 4.7μF 50V
C318	CENCK475M	CAP,ELY. 4.7μF 50V
C319	CCDVK330JT	CAP,CER. 33PF ±5%
C320	CCDVK330JT	CAP,CER. 33PF ±5%
C321	CENCI226M	CAP,ELY. 22μF 25V
C322	CENCI226M	CAP,ELY. 22μF 25V
C323	CKDEK102KT	CAP,CER. 1000PF ±10%
C324	CKDEK102KT	CAP,CER. 1000PF ±10%
C325	CEACI226M	CAP,ELY. 22μF 25V
C326	CEACI226M	CAP,ELY. 22μF 25V
C327	CEACI226M	CAP,ELY. 22μF 25V
C328	CEACI226M	CAP,ELY. 22μF 25V
C329	CEACI226M	CAP,ELY. 22μF 25V
C330	CEACI226M	CAP,ELY. 22μF 25V
C331	CQQMK472J	CAP,MYL. 4700PF ±5% 50V
C601	CKJPK223Z	CAP,CER. 0.022μF $\begin{matrix} +80 \\ -20 \end{matrix}$ % 50V
C602	CKJPK223Z	CAP,CER. 0.022μF $\begin{matrix} +80 \\ -20 \end{matrix}$ % 50V
C603	CKJPK473Z	CAP,CER. 0.047μF $\begin{matrix} +80 \\ -20 \end{matrix}$ % 50V
C605	CEACJ108M	CAP,ELY. 1000μF 35V
C606	CEACJ108M	CAP,ELY. 1000μF 35V
C607	CEACI227M	CAP,ELY. 220μF 25V
C608	CEACI227M	CAP,ELY. 220μF 25V
C621	CKJPK473Z	CAP,CER. 0.047μF $\begin{matrix} +80 \\ -20 \end{matrix}$ % 50V

Resistors

R303	RC0XP184J	RES,C.F. 180kΩ ±5% 1/6W
R304	RC0XP184J	RES,C.F. 180kΩ ±5% 1/6W
R305	RC0XP105J	RES,C.F. 1MΩ ±5% 1/6W
R306	RC0XP105J	RES,C.F. 1MΩ ±5% 1/6W
R309	RC0XP105J	RES,C.F. 1MΩ ±5% 1/6W
R310	RC0XP105J	RES,C.F. 1MΩ ±5% 1/6W
R311	RC0XP562J	RES,C.F. 5.6kΩ ±5% 1/6W
R312	RC0XP562J	RES,C.F. 5.6kΩ ±5% 1/6W
R313	RC0XP102J	RES,C.F. 1kΩ ±5% 1/6W
R314	RC0XP102J	RES,C.F. 1kΩ ±5% 1/6W
R315	RC0XP271J	RES,C.F. 270Ω ±5% 1/6W

Symble No.	Parts No.	Description
W503	1939U0062A 194403140A HALB30134N 2011U052A 483013220A 2011U042B	WIRE CONNECTOR PIN TERMINAL LUG POSISTOR PCB INSULATION SHEET FOR Q517-520 MAIN PCB
PHONE P. C. Board		
IC		
IC101	SINM4580L	IC,NJM4580L
Transistors		
Q101	ST2A929-F	TR,2SA929(F)
Q102	ST2A929-F	TR,2SA929(F)
Q103	STKA1266-G	TR,KTA1266(GR)
Q104	STKA1266-G	TR,KTA1266(GR)
Diodes		
D101	SDSIU0007	DIO,1N4148
D102	SDSIU0007	DIO,1N4148
D103	SDSIU0007	DIO,1N4148
D104	SDSIU0007	DIO,1N4148
Capacitors		
C101	CKDEK331KT	CAP,CER. 330PF ±10%
C102	CKDEK331KT	CAP,CER. 330PF ±10%
C103	CEKCK475M	CAP,ELY. 4.7µF 50V
C104	CEKCK475M	CAP,ELY. 4.7µF 50V
C105	CKDEK221KT	CAP,CER. 220PF ±10%
C106	CKDEK221KT	CAP,CER. 220PF ±10%
C107	CEACE228MJ	CAP,ELY. 2200µF 10V
C108	CEACE228MJ	CAP,ELY. 2200µF 10V
C109	CKDEK121KT	CAP,CER. 120PF ±10%
C110	CKDEK121KT	CAP,CER. 120PF ±10%
C111	CQQMK222J	CAP,MYL. 2200PF ±5% 50V
C112	CQQMK222J	CAP,MYL. 2200PF ±5% 50V
C113	CKDEK331KT	CAP,CER. 330PF ±10%
C114	CKDEK331KT	CAP,CER. 330PF ±10%
C115	CQQMK333J	CAP,MYL. 0.033µF ±5% 50V
C116	CQQMK333J	CAP,MYL. 0.033µF ±5% 50V
C117	CQQMK103J	CAP,MYL. 0.01µF ±5% 50V
C118	CQQMK103J	CAP,MYL. 0.01µF ±5% 50V
C119	CEACK335M	CAP,ELY. 3.3µF 50V
C120	CEACK335M	CAP,ELY. 3.3µF 50V
C121	CKJEK472K	CAP,CER. 4700PF ±10% 50V
C122	CKJEK472K	CAP,CER. 4700PF ±10% 50V
C123	CEACI476M	CAP,ELY. 47µF 25V
C124	CEACI476M	CAP,ELY. 47µF 25V
C125	CKDEK102KT	CAP,CER. 1000PF ±10%
C126	CKDEK102KT	CAP,CER. 1000PF ±10%
C127	CEACG107M	CAP,ELY. 100µF 16V
C128	CKJPK223Z	CAP,CER. 0.022µF ±80% 50V
C129	CKDEK102KT	CAP,CER. 1000PF ±10%
Resistors		
R101	RC0XP514J	RES,C.F. 510kΩ ±5% 1/6W
R102	RC0XP514J	RES,C.F. 510kΩ ±5% 1/6W
R103	RC0XP152J	RES,C.F. 1.5kΩ ±5% 1/6W
R104	RC0XP152J	RES,C.F. 1.5kΩ ±5% 1/6W
R105	RC0XP220J	RES,C.F. 22Ω ±5% 1/6W

Symble No.	Parts No.	Description
R106	RC0XP220J	RES,C.F. 22Ω ±5% 1/6W
R107	RC0XP683J	RES,C.F. 68kΩ ±5% 1/6W
R108	RC0XP683J	RES,C.F. 68kΩ ±5% 1/6W
R109	RC0XP131J	RES,C.F. 130Ω ±5% 1/6W
R110	RC0XP131J	RES,C.F. 130Ω ±5% 1/6W
R111	RC0XP101J	RES,C.F. 100Ω ±5% 1/6W
R112	RC0XP101J	RES,C.F. 100Ω ±5% 1/6W
R113	RC0XP110J	RES,C.F. 11Ω ±5% 1/6W
R114	RC0XP110J	RES,C.F. 11Ω ±5% 1/6W
R115	RC0XP224J	RES,C.F. 220kΩ ±5% 1/6W
R116	RC0XP224J	RES,C.F. 220kΩ ±5% 1/6W
R117	RC0XP123J	RES,C.F. 12kΩ ±5% 1/6W
R118	RC0XP123J	RES,C.F. 12kΩ ±5% 1/6W
R119	RC0XP822J	RES,C.F. 8.2kΩ ±5% 1/6W
R120	RC0XP822J	RES,C.F. 8.2kΩ ±5% 1/6W
R121	RC0XP822J	RES,C.F. 8.2kΩ ±5% 1/6W
R122	RC0XP822J	RES,C.F. 8.2kΩ ±5% 1/6W
R123	RC0XP121J	RES,C.F. 120Ω ±5% 1/6W
R124	RC0XP121J	RES,C.F. 120Ω ±5% 1/6W
R125	RC0XP100J	RES,C.F. 10Ω ±5% 1/6W
R126	RC0XP100J	RES,C.F. 10Ω ±5% 1/6W
R127	RC0XP100J	RES,C.F. 10Ω ±5% 1/6W
R128	RC0XP100J	RES,C.F. 10Ω ±5% 1/6W
R129	RC0XP913J	RES,C.F. 91kΩ ±5% 1/6W
R130	RC0XP913J	RES,C.F. 91kΩ ±5% 1/6W
R133	RC0XP752J	RES,C.F. 7.5kΩ ±5% 1/6W
R134	RC0XP752J	RES,C.F. 7.5kΩ ±5% 1/6W
R135	RC0XP750J	RES,C.F. 75Ω ±5% 1/6W
R136	RC0XP750J	RES,C.F. 75Ω ±5% 1/6W
R137	RC0XP471J	RES,C.F. 470Ω ±5% 1/6W
R138	RC0XP471J	RES,C.F. 470Ω ±5% 1/6W
R139	RC0XP474J	RES,C.F. 470kΩ ±5% 1/6W
R140	RC0XP474J	RES,C.F. 470kΩ ±5% 1/6W
Others		
E101	199200022A	EARTH PLATE
JK101	1920U0014A	RCA JACK
L101	1420U0037A	INDUCTOR
L102	1420U0037A	INDUCTOR
SW101	1831U0007A	SLIDE SW
TM101	1944U0028A 473200152A 2011U047A	PIN TERMINAL SHIELD CASE PHONO PCB
BUFFER P. C. Board		
IC		
IC201	SINM4580L	IC,NJM4580L
Capacitors		
C201	CKDEK331KT	CAP,CER. 330PF ±10%
C202	CKDEK331KT	CAP,CER. 330PF ±10%
C203	CQQMK393J	CAP,MYL. 0.039µF ±5% 50V
C204	CQQMK393J	CAP,MYL. 0.039µF ±5% 50V
C205	CEACK225M	CAP,ELY. 2.2µF 50V
C206	CEACK225M	CAP,ELY. 2.2µF 50V
C207	CCDVK100JT	CAP,CER. 10PF ±5%
C208	CCDVK100JT	CAP,CER. 10PF ±5%
C209	CCDVK100JT	CAP,CER. 10PF ±5%
C210	CCDVK100JT	CAP,CER. 10PF ±5%

Symble No.	Parts No.	Description	Symble No.	Parts No.	Description
R448	RC0XP102J	RES,C.F. 1k Ω \pm 5% 1/6W	R552	RC0XP183J	RES,C.F. 18k Ω \pm 5% 1/6W
R449	RC0XP221J	RES,C.F. 220 Ω \pm 5% 1/6W	R553	RC0XP101J	RES,C.F. 100 Ω \pm 5% 1/6W
R450	RC0XP221J	RES,C.F. 220 Ω \pm 5% 1/6W	R554	RC0XP101J	RES,C.F. 100 Ω \pm 5% 1/6W
R451	RC0XP103J	RES,C.F. 10k Ω \pm 5% 1/6W	R555	RC0XP473J	RES,C.F. 47k Ω \pm 5% 1/6W
R452	RC0XP103J	RES,C.F. 10k Ω \pm 5% 1/6W	R556	RC0XP473J	RES,C.F. 47k Ω \pm 5% 1/6W
R453	RC0XP103J	RES,C.F. 10k Ω \pm 5% 1/6W	R557	RF0QH4R7J	RES,F.R. 4.7 Ω \pm 5% 1/4W
R454	RC0XP103J	RES,C.F. 10k Ω \pm 5% 1/6W	R558	RF0QH4R7J	RES,F.R. 4.7 Ω \pm 5% 1/4W
R501	RC0XP221J	RES,C.F. 220 Ω \pm 5% 1/6W	R559	RC0XP563J	RES,C.F. 56k Ω \pm 5% 1/6W
R502	RC0XP221J	RES,C.F. 220 Ω \pm 5% 1/6W	R560	RC0XP563J	RES,C.F. 56k Ω \pm 5% 1/6W
R503	RC0XP104J	RES,C.F. 100k Ω \pm 5% 1/6W	R561	RC0XP182J	RES,C.F. 1.8k Ω \pm 5% 1/6W
R504	RC0XP104J	RES,C.F. 100k Ω \pm 5% 1/6W	R562	RX02H100J	RES,M.O. 10 Ω \pm 5% 1/2W
R505	RC0XP303J	RES,C.F. 30k Ω \pm 5% 1/6W	R563	RX02H100J	RES,M.O. 10 Ω \pm 5% 1/2W
R506	RC0XP303J	RES,C.F. 30k Ω \pm 5% 1/6W	R564	RCSQP153J	RES,C.F. 15k Ω \pm 5% 1/4W
R507	RC0XP183J	RES,C.F. 18k Ω \pm 5% 1/6W	R565	RCSQP473J	RES,C.F. 47k Ω \pm 5% 1/4W
R508	RC0XP183J	RES,C.F. 18k Ω \pm 5% 1/6W	R566	RC0XP104J	RES,C.F. 100k Ω \pm 5% 1/6W
R509	RC0XP121J	RES,C.F. 120 Ω \pm 5% 1/6W	R567	RC0XP223J	RES,C.F. 22k Ω \pm 5% 1/6W
R510	RC0XP121J	RES,C.F. 120 Ω \pm 5% 1/6W	R568	RCSQP202J	RES,C.F. 2k Ω \pm 5% 1/4W
R511	RCSQP101J	RES,C.F. 100 Ω \pm 5% 1/4W	R569	RC0XP104J	RES,C.F. 100k Ω \pm 5% 1/6W
R512	RCSQP101J	RES,C.F. 100 Ω \pm 5% 1/4W	R570	RCSQP153J	RES,C.F. 15k Ω \pm 5% 1/4W
R513	RCSQP101J	RES,C.F. 100 Ω \pm 5% 1/4W	R571	RC0XP472J	RES,C.F. 4.7k Ω \pm 5% 1/6W
R514	RCSQP101J	RES,C.F. 100 Ω \pm 5% 1/4W	R572	RC0XP222J	RES,C.F. 2.2k Ω \pm 5% 1/6W
R515	RC0XP331J	RES,C.F. 330 Ω \pm 5% 1/6W	R573	RX01H680J	RES,M.O. 68 Ω \pm 5% 1/20W
R516	RC0XP331J	RES,C.F. 330 Ω \pm 5% 1/6W	R574	RC0XP563J	RES,C.F. 56k Ω \pm 5% 1/6W
R517	RC0XP303J	RES,C.F. 30k Ω \pm 5% 1/6W	R575	RC0XP333J	RES,C.F. 33k Ω \pm 5% 1/6W
R518	RC0XP303J	RES,C.F. 30k Ω \pm 5% 1/6W	R576	RC0XP304J	RES,C.F. 300k Ω \pm 5% 1/6W
R519	RC0XP202J	RES,C.F. 2k Ω \pm 5% 1/6W	R577	RC0XP473J	RES,C.F. 47k Ω \pm 5% 1/6W
R520	RC0XP202J	RES,C.F. 2k Ω \pm 5% 1/6W	VR501	17730107UA	SEMI FIXED VR,RH0615C-1K
R521	RCSQP273J	RES,C.F. 27k Ω \pm 5% 1/4W	VR502	17730107UA	SEMI FIXED VR,RH0615C-1K
R522	RCSQP273J	RES,C.F. 27k Ω \pm 5% 1/4W	Others		
R523	RC0XP101J	RES,C.F. 100 Ω \pm 5% 1/6W	CN201	1941U0264A	PIN CONNECTOR
R524	RC0XP101J	RES,C.F. 100 Ω \pm 5% 1/6W	CN401	1939U0013A	WIRE CONNECTOR
R525	RF0QH101J	RES,F.R. 100 Ω \pm 5% 1/4W	CN403	1939U0013A	WIRE CONNECTOR
R526	RF0QH101J	RES,F.R. 100 Ω \pm 5% 1/4W	CN405	1939U0013A	WIRE CONNECTOR
R527	RF0QH101J	RES,F.R. 100 Ω \pm 5% 1/4W	CN501	1939U0013A	WIRE CONNECTOR
R528	RF0QH101J	RES,F.R. 100 Ω \pm 5% 1/4W	CN502	1939U0013A	WIRE CONNECTOR
R529	RC0XP102J	RES,C.F. 1k Ω \pm 5% 1/6W	CN503	1939U0012A	WIRE CONNECTOR
R530	RC0XP102J	RES,C.F. 1k Ω \pm 5% 1/6W	CN601	1939U0013A	WIRE CONNECTOR
R531	RC0XP102J	RES,C.F. 1k Ω \pm 5% 1/6W	CN702	1939U0016A	WIRE CONNECTOR
R532	RC0XP102J	RES,C.F. 1k Ω \pm 5% 1/6W	E401	199200012B	EARTH PLATE
R533	RF0QH4R7J	RES,F.R. 4.7 Ω \pm 5% 1/4W	E402	199200012B	EARTH PLATE
R534	RF0QH4R7J	RES,F.R. 4.7 Ω \pm 5% 1/4W	JK401	1920U0010A	RCA JACK
R535	RF0QH4R7J	RES,F.R. 4.7 Ω \pm 5% 1/4W	JK402	192010580A	RCA JACK
R536	RF0QH4R7J	RES,F.R. 4.7 Ω \pm 5% 1/4W	JK403	192010590A	RCA JACK
R537	RX01H151J	RES,M.O. 150 Ω \pm 5% 1/20W	JK404	192010590A	RCA JACK
R538	RX01H151J	RES,M.O. 150 Ω \pm 5% 1/20W	JP401	31801001UA	JUMPER PIN
R539	RF0QH4R7J	RES,F.R. 4.7 Ω \pm 5% 1/4W	JP402	31801001UA	JUMPER PIN
R540	RF0QH4R7J	RES,F.R. 4.7 Ω \pm 5% 1/4W	L501	1410U0004A	AIR COIL 1.0 μ H
R541	RF0QH4R7J	RES,F.R. 4.7 Ω \pm 5% 1/4W	L502	1410U0004A	AIR COIL 1.0 μ H
R542	RF0QH4R7J	RES,F.R. 4.7 Ω \pm 5% 1/4W	PO501	SDPS0NOXUA	POSISTOR
R543	RT05YC02J5	RES,MPR55D 0.22M Ω \pm 5% \times 2	RY501	5810U0002A	RELAY
R544	RT05YC02J5	RES,MPR55D 0.22M Ω \pm 5% \times 2		or	
R545	RC0XP122J	RES,C.F. 1.2k Ω \pm 5% 1/6W	RY501	581010950A	RELAY
R546	RC0XP122J	RES,C.F. 1.2k Ω \pm 5% 1/6W	SP501	1923U0001A	NIP TERMINAL
R547	RC0XP122J	RES,C.F. 1.2k Ω \pm 5% 1/6W	T501	194403140A	PIN TERMINAL
R548	RC0XP122J	RES,C.F. 1.2k Ω \pm 5% 1/6W	T502	194403140A	PIN TERMINAL
R549	RC0XP183J	RES,C.F. 18k Ω \pm 5% 1/6W	TM501	1941U0037A	PIN TERMINAL
R550	RC0XP183J	RES,C.F. 18k Ω \pm 5% 1/6W	TM502	1941U0036A	PIN TERMINAL
R551	RC0XP183J	RES,C.F. 18k Ω \pm 5% 1/6W	TM503	1941U0037A	PIN TERMINAL
			TM504	1941U0036A	PIN TERMINAL

Symble No.	Parts No.	Description	Symble No.	Parts No.	Description
C432	CEACI106M	CAP,ELY. 10µF 25V	C553	CKJEV222K	CAP,CER. 2200PF ±10% 500V
C433	CEACI227M	CAP,ELY. 220µF 25V	C554	CKJEV222K	CAP,CER. 2200PF ±10% 500V
C434	CEACI227M	CAP,ELY. 220µF 25V	C555	CKJEV222K	CAP,CER. 2200PF ±10% 500V
C435	CEACI226M	CAP,ELY. 22µF 25V	C556	CKJEV222K	CAP,CER. 2200PF ±10% 500V
C436	CEACI226M	CAP,ELY. 22µF 25V	C557	CKJEK222K	CAP,CER. 2200PF ±10% 50V
C437	CQQMK473J	CAP,MYL. 0.047µF ±5% 50V	C558	CKJEK222K	CAP,CER. 2200PF ±10% 50V
C438	CKDEK331KT	CAP,CER. 330PF ±10%	C559	CKJPK223Z	CAP,CER. 0.022µF \pm_{-20}^{+80} % 50V
C439	CKDEK331KT	CAP,CER. 330PF ±10%	C560	CKJPK223Z	CAP,CER. 0.022µF \pm_{-20}^{+80} % 50V
C440	CKJPK103Z	CAP,CER. 0.01µF \pm_{-20}^{+80} % 50V	C561	CKJPK223Z	CAP,CER. 0.022µF \pm_{-20}^{+80} % 50V
C441	CKDEK102KT	CAP,CER. 1000PF ±10%	C622	CKJPK473Z	CAP,CER. 0.047µF \pm_{-20}^{+80} % 50V
C501	CEACK475M	CAP,ELY. 4.7µF 50V	Resistors		
C502	CEACK475M	CAP,ELY. 4.7µF 50V	R401	RC0XP101J	RES,C.F. 100Ω ±5% 1/6W
C503	CKDEK101KT	CAP,CER. 100PF ±5%	R402	RC0XP101J	RES,C.F. 100Ω ±5% 1/6W
C504	CKDEK101KT	CAP,CER. 100PF ±5%	R403	RC0XP225J	RES,C.F. 2.2MΩ ±5% 1/6W
C505	CQQMK222J	CAP,MYL. 2200PF ±5% 50V	R404	RC0XP225J	RES,C.F. 2.2MΩ ±5% 1/6W
C506	CQQMK222J	CAP,MYL. 2200PF ±5% 50V	R405	RC0XP101J	RES,C.F. 100Ω ±5% 1/6W
C507	CCDVK100JT	CAP,CER. 10PF ±5%	R406	RC0XP101J	RES,C.F. 100Ω ±5% 1/6W
C508	CCDVK100JT	CAP,CER. 10PF ±5%	R407	RC0XP225J	RES,C.F. 2.2MΩ ±5% 1/6W
C509	CEACI107M	CAP,ELY. 100µF 25V	R408	RC0XP225J	RES,C.F. 2.2MΩ ±5% 1/6W
C510	CEACI107M	CAP,ELY. 100µF 25V	R409	RC0XP101J	RES,C.F. 100Ω ±5% 1/6W
C511	CEACK225M	CAP,ELY. 2.2µF 50V	R410	RC0XP101J	RES,C.F. 100Ω ±5% 1/6W
C512	CEACK225M	CAP,ELY. 2.2µF 50V	R411	RC0XP225J	RES,C.F. 2.2MΩ ±5% 1/6W
C513	CCJVV220JT	CAP,CER. 22PF ±5%	R412	RC0XP225J	RES,C.F. 2.2MΩ ±5% 1/6W
C514	CCJVV220JT	CAP,CER. 22PF ±5%	R413	RC0XP101J	RES,C.F. 100Ω ±5% 1/6W
C515	CCJVV220JT	CAP,CER. 22PF ±5%	R414	RC0XP101J	RES,C.F. 100Ω ±5% 1/6W
C516	CCJVV220JT	CAP,CER. 22PF ±5%	R415	RC0XP225J	RES,C.F. 2.2MΩ ±5% 1/6W
C517	CEACK106M	CAP,ELY. 10µF 50V	R416	RC0XP225J	RES,C.F. 2.2MΩ ±5% 1/6W
C518	CEACK106M	CAP,ELY. 10µF 50V	R417	RC0XP101J	RES,C.F. 100Ω ±5% 1/6W
C519	CEACK106M	CAP,ELY. 10µF 50V	R418	RC0XP101J	RES,C.F. 100Ω ±5% 1/6W
C520	CEACK106M	CAP,ELY. 10µF 50V	R419	RC0XP225J	RES,C.F. 2.2MΩ ±5% 1/6W
C521	CCJVV470JT	CAP,CER. 470µF ±5%	R420	RC0XP225J	RES,C.F. 2.2MΩ ±5% 1/6W
C522	CCJVV470JT	CAP,CER. 470µF ±5%	R421	RC0XP101J	RES,C.F. 100Ω ±5% 1/6W
C523	CQQMK104J	CAP,MYL. 0.1µF ±5% 50V	R422	RC0XP101J	RES,C.F. 100Ω ±5% 1/6W
C524	CQQMK104J	CAP,MYL. 0.1µF ±5% 50V	R423	RC0XP225J	RES,C.F. 2.2MΩ ±5% 1/6W
C525	CQQMK104J	CAP,MYL. 0.1µF ±5% 50V	R424	RC0XP225J	RES,C.F. 2.2MΩ ±5% 1/6W
C526	CQQMK104J	CAP,MYL. 0.1µF ±5% 50V	R425	RC0XP101J	RES,C.F. 100Ω ±5% 1/6W
C527	CEACI476M	CAP,ELY. 47µF 25V	R426	RC0XP101J	RES,C.F. 100Ω ±5% 1/6W
C528	CEACI107M	CAP,ELY. 100µF 25V	R427	RC0XP225J	RES,C.F. 2.2MΩ ±5% 1/6W
C529	CKJPK103Z	CAP,CER. 0.01µF \pm_{-20}^{+80} % 50V	R428	RC0XP225J	RES,C.F. 2.2MΩ ±5% 1/6W
C530	CEACK474M	CAP,ELY. 0.47µF 50V	R429	RC0XP101J	RES,C.F. 100Ω ±5% 1/6W
C531	CEACL107M	CAP,ELY. 100µF 63V	R430	RC0XP101J	RES,C.F. 100Ω ±5% 1/6W
C532	CKJPV103Z	CAP,CER. 0.01µF \pm_{-20}^{+80} % 500V	R431	RC0XP225J	RES,C.F. 2.2MΩ ±5% 1/6W
C533	CKJPV103Z	CAP,CER. 0.01µF \pm_{-20}^{+80} % 500V	R432	RC0XP225J	RES,C.F. 2.2MΩ ±5% 1/6W
C534	CKJPV103Z	CAP,CER. 0.01µF \pm_{-20}^{+80} % 500V	R433	RC0XP101J	RES,C.F. 100Ω ±5% 1/6W
C535	CKJPV103Z	CAP,CER. 0.01µF \pm_{-20}^{+80} % 500V	R434	RC0XP101J	RES,C.F. 100Ω ±5% 1/6W
C536	CEACG107M	CAP,ELY. 100µF 16V	R435	RC0XP225J	RES,C.F. 2.2MΩ ±5% 1/6W
C537	CEACG107M	CAP,ELY. 100µF 16V	R436	RC0XP225J	RES,C.F. 2.2MΩ ±5% 1/6W
C538	CEACL109ML	CAP,ELY. 10000µF 63V	R437	RC0XP221J	RES,C.F. 220Ω ±5% 1/6W
C539	CEACL109ML	CAP,ELY. 10000µF 63V	R438	RC0XP221J	RES,C.F. 220Ω ±5% 1/6W
C540	CEACL107M	CAP,ELY. 100µF 63V	R439	RC0XP221J	RES,C.F. 220Ω ±5% 1/6W
C541	CEACL107M	CAP,ELY. 100µF 63V	R440	RC0XP221J	RES,C.F. 220Ω ±5% 1/6W
C542	CEACL107M	CAP,ELY. 100µF 63V	R441	RC0XP822J	RES,C.F. 8.2kΩ ±5% 1/6W
C543	CEACL107M	CAP,ELY. 100µF 63V	R442	RC0XP822J	RES,C.F. 8.2kΩ ±5% 1/6W
C544	CFQMR223KL	CAP,MYL. 0.022µF ±10% 250V	R443	RC0XP822J	RES,C.F. 8.2kΩ ±5% 1/6W
C545	CFQMR223KL	CAP,MYL. 0.022µF ±10% 250V	R444	RC0XP822J	RES,C.F. 8.2kΩ ±5% 1/6W
C546	CFQMR333KL	CAP,MYL. 0.033µF ±10% 250V	R445	RC0XP102J	RES,C.F. 1kΩ ±5% 1/6W
C551	CEACI226M	CAP,ELY. 22µF 25V	R446	RC0XP102J	RES,C.F. 1kΩ ±5% 1/6W
C552	CEACI226M	CAP,ELY. 22µF 25V	R447	RC0XP102J	RES,C.F. 1kΩ ±5% 1/6W

Electrical Parts List

Abbreviations		
RES. = Resistor	CAP. = Capacitor	
C.F. = Carbon Film	ELY. = Electrolytic	
M.F. = Metal Film	CER. = Ceramic	
M.O. = Metal Oxide Film	MYL. = Mylar	
M.P. = Metal Plate	TAN. = Tantalum	
TR. = Transistor	POLY. = Polystyrol	
TRANS. = Transformer	PP. = Polypropylene	
CP. = Chip	PLT. = Polyethylene	
	PF. = Polyester Film	

Symble No.	Parts No.	Description
MAIN P. C. Board		
IC's		
IC401	SINU7312L	IC,NJU7312L
IC402	SINU7312L	IC,NJU7312L
IC501	SITA7317P	IC,TA7317P
Transistors		
Q401	STDC323TS	TR,DTC323TS
Q402	STDC323TS	TR,DTC323TS
Q403	STDC323TS	TR,DTC323TS
Q404	STDC323TS	TR,DTC323TS
Q405	STDC323TS	TR,DTC323TS
Q406	STDC323TS	TR,DTC323TS
Q407	STDC323TS	TR,DTC323TS
Q408	STDC323TS	TR,DTC323TS
Q501	ST2A1239-G	TR,2SA1239(G)
Q502	ST2A1239-G	TR,2SA1239(G)
Q503	SF2K184-G	FET,2SK184(GR)
Q504	SF2K184-G	FET,2SK184(GR)
Q505	STKC2240-G	TR,KTC2240(GR)
Q506	STKC2240-G	TR,KTC2240(GR)
Q507	STKA965-Y	TR,KTA965(Y)
Q508	STKA965-Y	TR,KTA965(Y)
Q509	STKC2235-Y	TR,KTC2235(Y)
Q510	STKC2235-Y	TR,KTC2235(Y)
Q511	STKC2235-Y	TR,KTC2235(Y)
Q512	STKC2235-Y	TR,KTC2235(Y)
Q513	ST2C3421-0	TR,2SC3421(O)
Q514	ST2C3421-0	TR,2SC3421(O)
Q515	ST2A1358-0	TR,2SA1358(O)
Q516	ST2A1358-0	TR,2SA1358(O)
Q517	ST2C3856-Y	TR,2SC3856(Y)
Q518	ST2C3856-Y	TR,2SC3856(Y)
Q519	ST2A1492-Y	TR,2SA1492(Y)
Q520	ST2A1492-Y	TR,2SA1492(Y)
Q521	STKC3200-Y	TR,KTC3200(Y)
Q522	STKC3200-Y	TR,KTC3200(Y)
Q523	STKA1268-G	TR,KTA1268(GR)
Q524	STKA1271-Y	TR,KTA1271(Y)
Diodes		
D401	SDSIU0007	DIO,1N4148
D402	SDSIU0007	DIO,1N4148

Symble No.	Parts No.	Description
D403	SDSIU0007	DIO,1N4148
D404	SDSIU0007	DIO,1N4148
D405	SDSIU0007	DIO,1N4148
D406	SDSIU0007	DIO,1N4148
D407	SDSIU0007	DIO,1N4148
D408	SDSIU0007	DIO,1N4148
D501	SDSIU0007	DIO,1N4148
D502	SDSIU0007	DIO,1N4148
D503	SDSIU0007	DIO,1N4148
D504	SDSIU0007	DIO,1N4148
D505	SDSIU0007	DIO,1N4148
D506	SDSIU0007	DIO,1N4148
D507	SDSIU0007	DIO,1N4148
D508	SDSIU0007	DIO,1N4148
D509	SDSIU0007	DIO,1N4148
D510	SDSIU0007	DIO,1N4148
D511	SDSIU0007	DIO,1N4148
D512	SDSIU0007	DIO,1N4148
D513	SDSIU0007	DIO,1N4148
D514	SDSIU0007	DIO,1N4148
D515	SDSIU0006	DIO,1N4002A
D516	SDSIU0022	DIO,PBV-1506
Capacitors		
C401	CKDEK331KT	CAP,CER. 330PF ±10%
C402	CKDEK331KT	CAP,CER. 330PF ±10%
C403	CKDEK331KT	CAP,CER. 330PF ±10%
C404	CKDEK331KT	CAP,CER. 330PF ±10%
C405	CKDEK331KT	CAP,CER.330PF ±10%
C406	CKDEK331KT	CAP,CER. 330PF ±10%
C407	CKDEK331KT	CAP,CER. 330PF ±10%
C408	CKDEK331KT	CAP,CER. 330PF ±10%
C409	CKDEK471KT	CAP,CER. 470PF ±10%
C410	CKDEK471KT	CAP,CER. 470PF ±10%
C411	CENCK225M	CAP,ELY. 2.2µF 50V
C412	CENCK225M	CAP,ELY. 2.2µF 50V
C413	CKDEK331KT	CAP,CER. 330PF ±10%
C414	CKDEK331KT	CAP,CER. 330PF ±10%
C415	CKDEK471KT	CAP,CER. 470PF ±10%
C416	CKDEK471KT	CAP,CER. 470PF ±10%
C417	CENCK225M	CAP,ELY. 2.2µF 50V
C418	CENCK225M	CAP,ELY. 2.2µF 50V
C419	CKDEK471KT	CAP,CER. 470PF ±10%
C420	CKDEK471KT	CAP,CER.470PF ±10%
C421	CKDEK331KT	CAP,CER. 330PF ±10%
C422	CKDEK331KT	CAP,CER. 330PF ±10%
C423	CKDEK101KT	CAP,CER. 100PF ±10%
C424	CKDEK101KT	CAP,CER. 100PF ±10%
C425	CKDEK101KT	CAP,CER. 100PF ±10%
C426	CKDEK101KT	CAP,CER. 100PF ±10%
C427	CEACI226M	CAP,ELY. 22µF 25V
C428	CEACI226M	CAP,ELY. 22µF 25V
C429	CEACI226M	CAP,ELY. 22µF 25V
C430	CEACI226M	CAP,ELY. 22µF 25V
C431	CEACI106M	CAP,ELY. 10µF 25V